

bosal

**Инструкция по монтажу
тягово-цепного устройства
шарового типа 3042 А
для автомобилей
Lexus RX300/RX330**

	1997-2003...
	1500
	75
	16,7



462800,

18

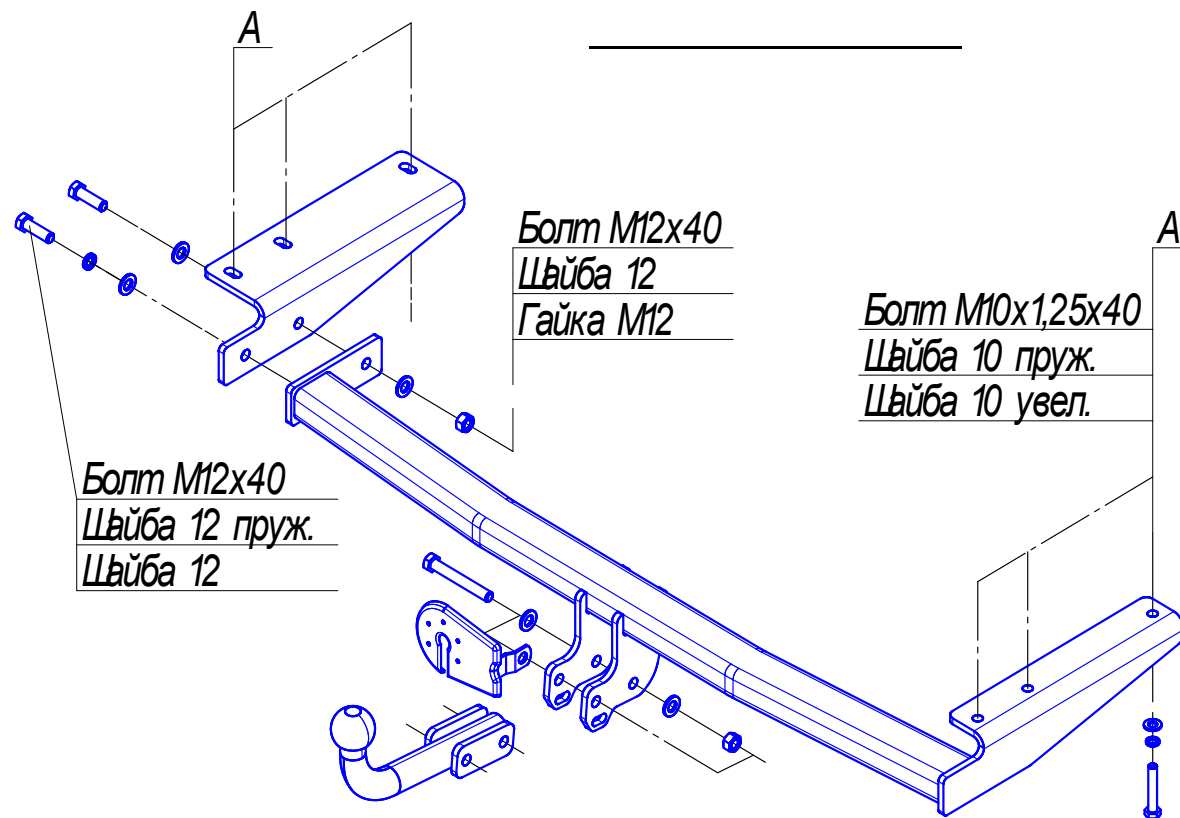
т. (35363) 7-05-06
ф. (35363) 7-13-20
(495) 799-13-46
www.bosal-autoflex.ru
www.bosal.com

« - » (8182) 22-48-15
" " 8(8442) 98-74-98
" " " 8(343) 379-39-89, 373-42-73
" " " 8(343) 26-88-308
" " " 8(3952) 710-194
" " " 8(495) 777-54-59
" " " 8(495) 745-79-11
" " " 8(495) 788-95-97
" " " 8(495) 720-51-03
" " " 8(3532) 57-99-85
" " " 8-905-899-5012
" " " 8(383) 291-59-60
" " " 8(831) 279-53-24
" " " 8(3422) 98-27-20
" " " 8(342) 220-87-87
" " " 8-927-002-90-06
" " " 8(3462) 24-00-44
" " " 8(3842) 21-14-76
" " " 8-902-940-4151
" " " 8(3452) 32-22-12, 41-52-62
" " " 8-961-213-0278
" " " 8-917-347-1700
" " " 8(351) 269-44-75, 900-72-73
" " " 8(3512) 773-76-91

41.55-2005.

10 1,25 40

12 40



	1
	1
	1
	1

	3
12	1
12 1,25 /	2
12	1
12	7
10	6
10	6
12 40	2
12 1,25 90	2
10 1,25 40	6
	2
0800	1
	1
	1
	1
	1
190	1
	1

1			
2			
3			
4			
5			
6			
7			

