

bosal

Инструкция по монтажу тягово-сцепного устройства шарового типа 4152 А для автомобилей Mitsubishi Outlander

	2003-..
	1500
	75
	19.8



462800,

« - »
18
: (35363) 7-05-06
/ : (35363) 7-13-20
(495) 799-13-46
www.bosal-autoflex.ru
www.bosal.com

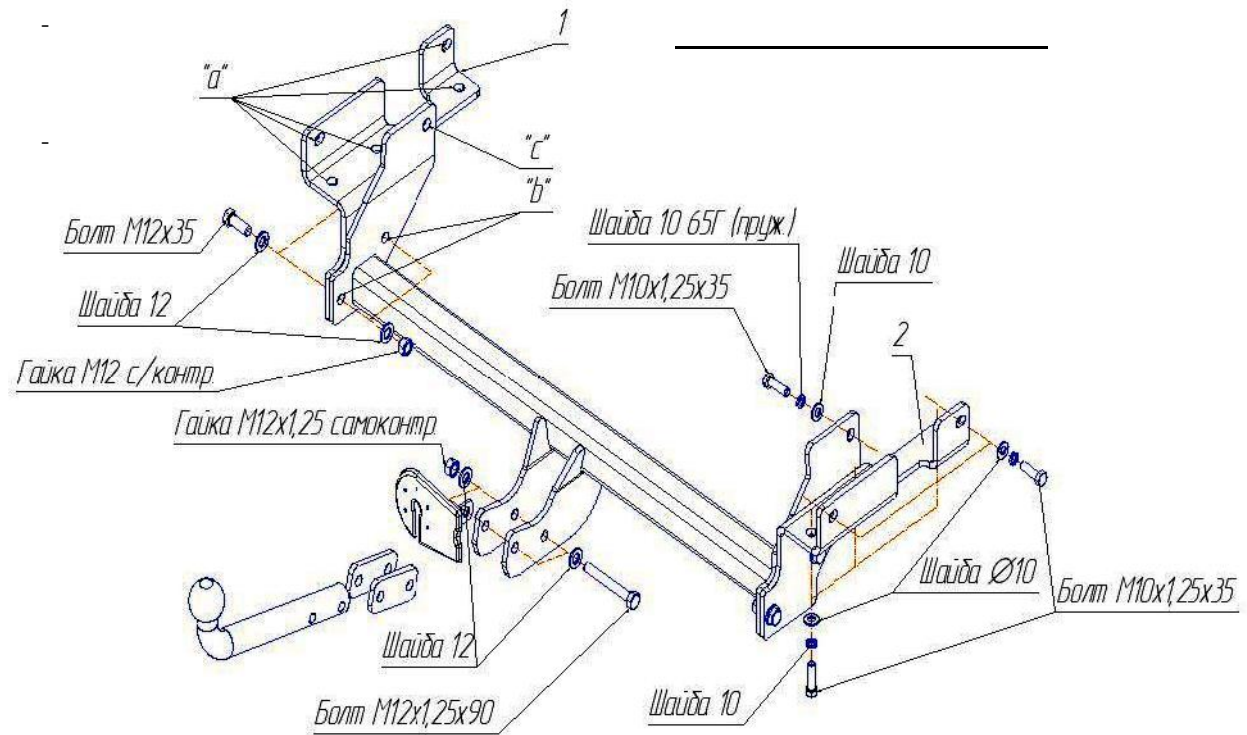
« - »	»
" (8182) 22-48-15	"
" 8(8442) 98-74-98	"
" 8(343) 379-39-89, 373-42-73	"
" 8(343) 26-88-308	"
" 8(3952) 710-194	"
" 8(495) 777-54-59	"
" 8(495) 745-79-11	"
" 8(495) 788-95-97	"
" 8(495) 720-51-03	"
" 8(3532) 57-99-85	"
" 8-905-899-5012	"
" 8(383) 291-59-60	"
" 8(831) 279-53-24	"
" 8(3422) 98-27-20	"
" 8(342) 220-87-87	"
" 8-927-002-90-06	"
" 8(3462) 24-00-44	"
" 8(3842) 21-14-76	"
" 8-902-940-4151	"
" 8(3452) 32-22-12, 41-52-62	"
" 8-961-213-0278	"
" 8-917-347-1700	"
" 8(351) 269-44-75, 900-72-73	"
" 8(3512) 773-76-91	"

41.55-2005.

5).
 ("1" "2"
 10 1,25 35.
 "b"

12 35

12 1,25 90



	1
	1
	1
	1
	1

	3
12 1,25 /	2
12 /	4
12	11
10	12
10	12
12 90 1,25	2
12 35	4
10 1.25 35	12
	2
VH0810	1
	1
	1
	1
190	1
	1

