

# bosal

**Инструкция  
по монтажу тягово-цепного  
устройства шарового типа 4154 А  
для автомобилей  
Mitsubishi Lancer**

	2007-...
	1200
	50
	21



462800,

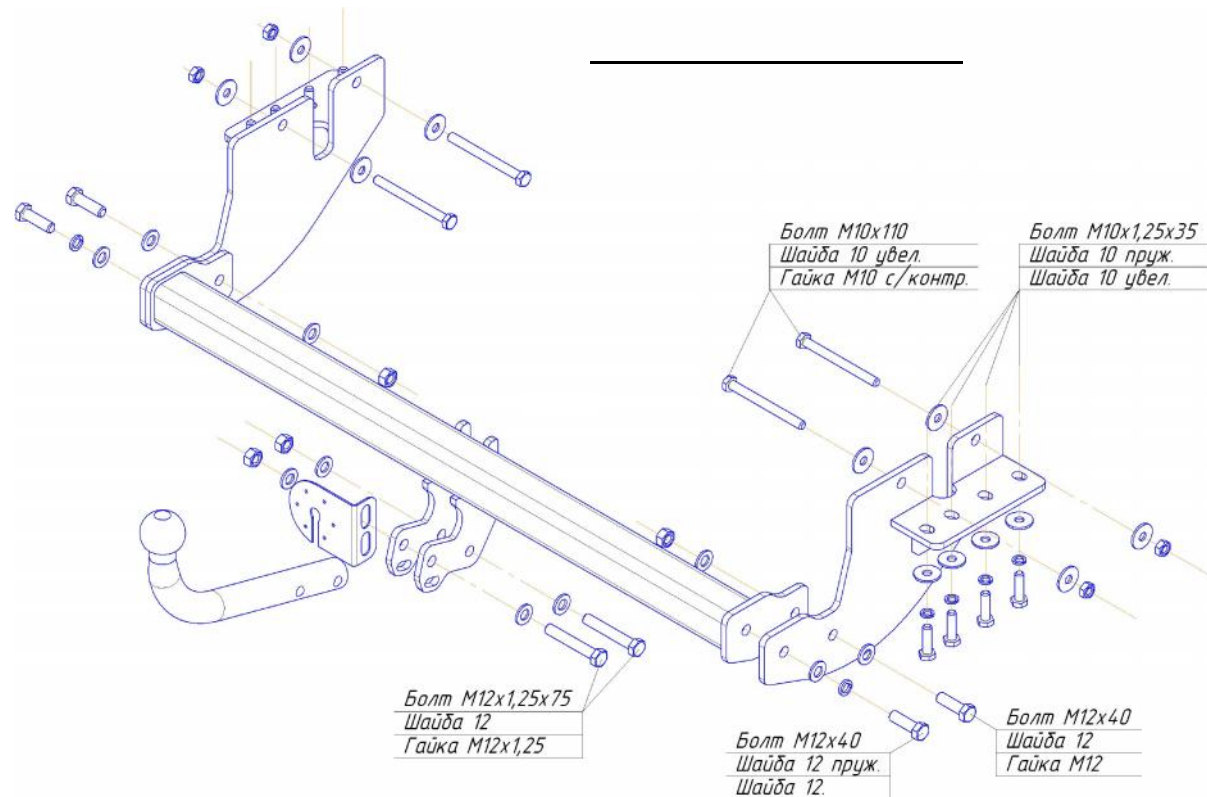
18  
: (35363) 7-05-06  
/ : (35363) 7-13-20  
(495) 799-13-46

[www.bosal-autoflex.ru](http://www.bosal-autoflex.ru)  
[www.bosal.com](http://www.bosal.com)

« - »	(8182) 22-48-15
" " " 8(8442) 98-74-98	" " " 8(343) 379-39-89, 373-42-73
" " " 8(343) 26-88-308	" " " 8(3952) 710-194
" " " 8(495) 777-54-59	" " " 8(495) 745-79-11
" " " 8(495) 788-95-97	" " " 8(495) 720-51-03
" " " 8(3532) 57-99-85	" " " 8-905-899-5012
" " " 8(383) 291-59-60	" " " 8(831) 279-53-24
" " " 8(3422) 98-27-20	" " " 8(342) 220-87-87
" " " 8-927-002-90-06	" " " 8(3462) 24-00-44
" " " 8(3842) 21-14-76	" " " 8-902-940-4151
" " " 8(3452) 32-22-12, 41-52-62	" " " 8-961-213-0278
" " " 8-917-347-1700	" " " 8(351) 269-44-75, 900-72-73
" " " 8(3512) 773-76-91	

41.55-2005.

С



	1	.
	1	.
	1	.
	1	.
	1	.

	3	.
10 1,25 35	8	.
10 110	4	.
12 40	4	.
12 1,25 75	2	.
10 /	4	.
12 /	2	.
12 1,25 /	2	.
10	8	.
12	2	.
10	16	.
12	10	.
VH0208		
	1	.
	1	.
	1	.
190	1	.
	1	.

