



**Инструкция по монтажу
тягово-цепного устройства
шарового типа 4221 А
для автомобилей
Hyundai Accent**

| | |
|--|------------|
| | 2000/1-... |
| | 1000 |
| | 75 |
| | 14,9 |



462800,

« - »

18

∴ (35363) 7-05-06

/ ∴ (35363) 7-13-20

(495) 785-66-07

www.bosal-autoflex.ru

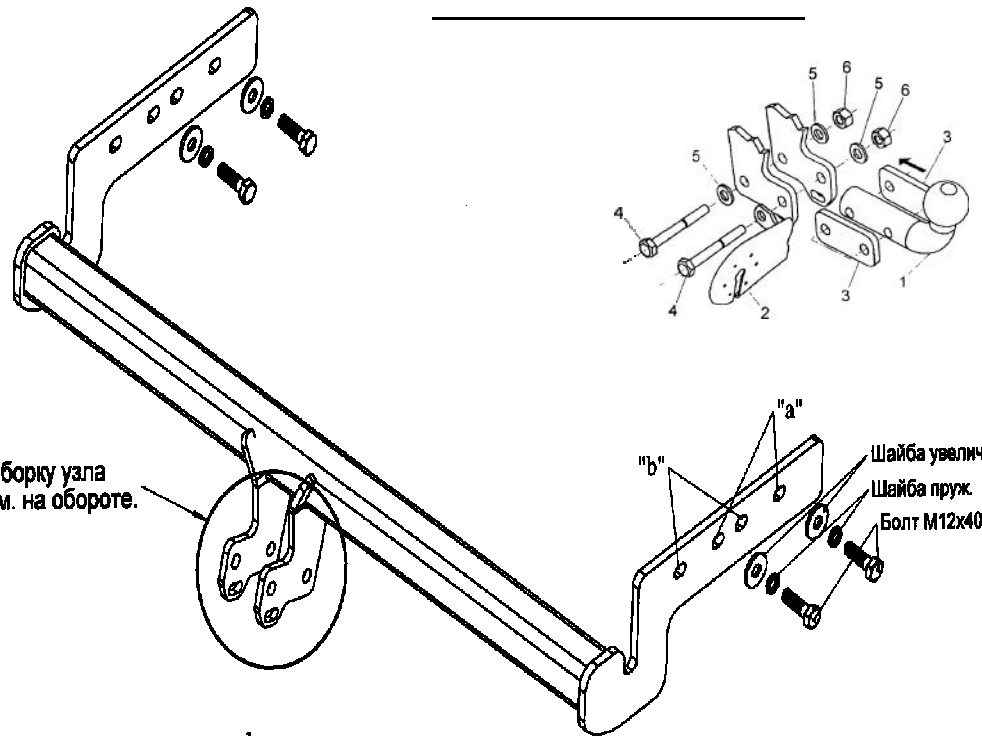
| | |
|-------|-------------------------------|
| « - » | (8182) 22-48-15 |
| " | " 8(8442) 98-74-98 |
| " | " 8(343) 379-39-89, 373-42-73 |
| " | " 8(343) 26-88-308 |
| " | " 8(3952) 710-194 |
| " | " 8(495) 777-54-59 |
| " | " 8(495)745-79-11 |
| " | " 8(495) 788-95-97 |
| " | " 8(495) 720-51-03 |
| " | " 8(3532) 57-99-85 |
| " | " 8-905-899-5012 |
| " | " 8(383) 291-59-60 |
| " | " 8(831) 279-53-24 |
| " | " 8(3422) 98-27-20 |
| " | " 8(342) 220-87-87 |
| " | " 8-927-002-90-06 |
| " | " 8(3462) 24-00-44 |
| " | " 8(3842) 21-14-76 |
| " | " 8-902-940-4151 |
| " | " 8(3452) 32-22-12, 41-52-62 |
| " | " 8-961-213-0278 |
| " | " 8-917-347-1700 |
| " | " 8(351) 269-44-75, 900-72-73 |
| " | " 8(3512) 773-76-91 |

41.55-2005.

(4-).

« » ()

). « » ().



| | |
|--|---|
| | 1 |
| | 1 |
| | 1 |

| | |
|------------|---|
| | 3 |
| 12 1,25 / | 2 |
| 12 | 4 |
| 12 | 4 |
| 12 | 4 |
| 12 1,25 90 | 2 |
| 12 1,25 40 | 4 |
| | 2 |
| VH 0208 | 1 |
| | 1 |
| | 1 |
| | 1 |
| 130 | 1 |
| | 1 |

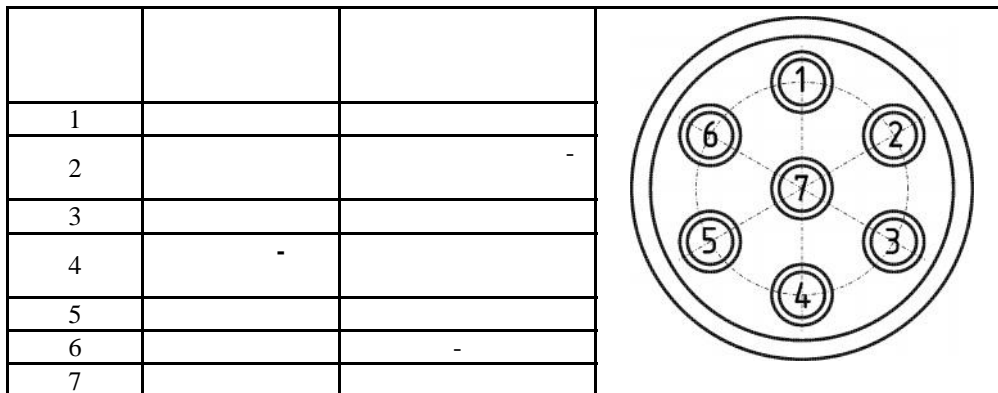


Схема обрезки кабеля

