

bosal

Инструкция по монтажу тягово-цепного устройства шарового типа 4225 G для автомобилей Hyundai Terracan

| | |
|--|--------------|
| | 2001/10—2006 |
| | 2300 |
| | 80 |
| | 20.8 |



462800,

т. (35363) 7-05-06

ф. (35363) 7-13-20

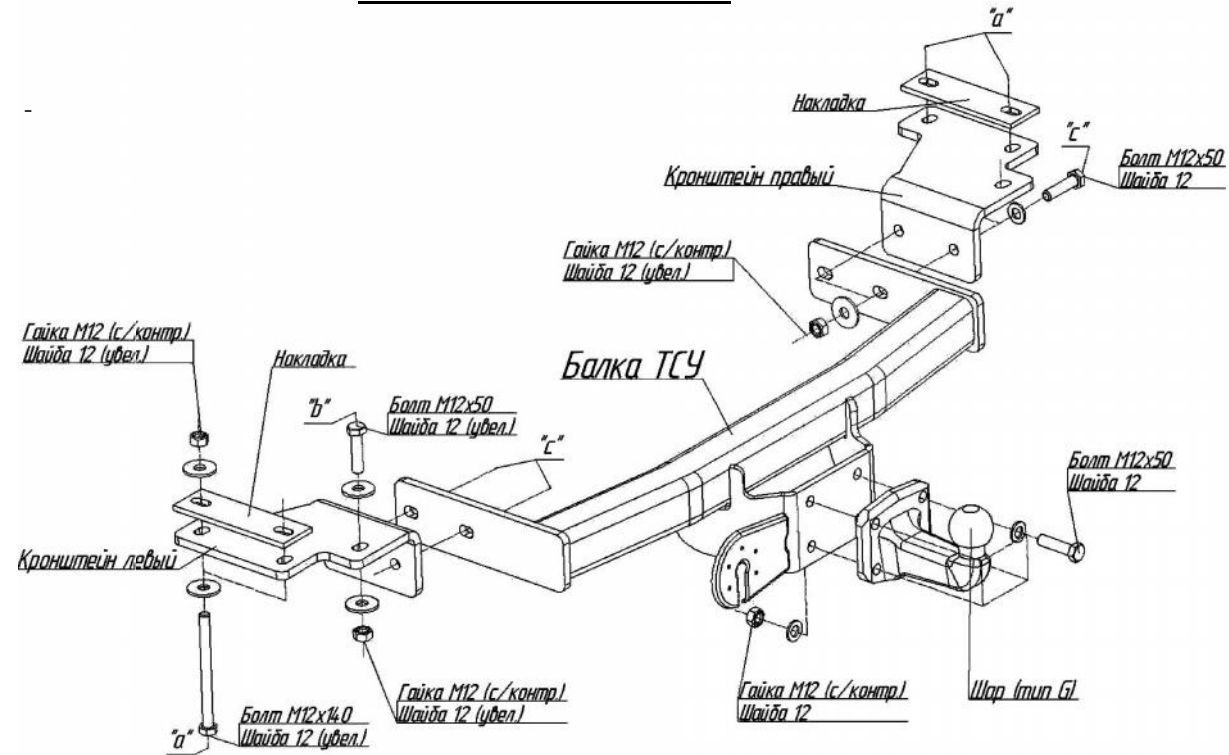
(495) 799-13-46

www.bosal-autoflex.ru

www.bosal.com

18

| | |
|-------|-----------------------------|
| « - » | (8182) 22-48-15 |
| " - " | 8(8442) 98-74-98 |
| " - " | 8(343) 379-39-89, 373-42-73 |
| " - " | 8(343) 26-88-308 |
| " - " | 8(3952) 710-194 |
| " - " | 8(495) 777-54-59 |
| " - " | 8(495) 745-79-11 |
| " - " | 8(495) 788-95-97 |
| " - " | 8(495) 720-51-03 |
| " - " | 8(3532) 57-99-85 |
| " - " | 8-905-899-5012 |
| " - " | 8(383) 291-59-60 |
| " - " | 8(831) 279-53-24 |
| " - " | 8(3422) 98-27-20 |
| " - " | 8(342) 220-87-87 |
| " - " | 8-927-002-90-06 |
| " - " | 8(3462) 24-00-44 |
| " - " | 8(3842) 21-14-76 |
| " - " | 8-902-940-4151 |
| " - " | 8(3452) 32-22-12, 41-52-62 |
| " - " | 8-961-213-0278 |
| " - " | 8-917-347-1700 |
| " - " | 8(351) 269-44-75, 900-72-73 |
| " - " | 8(3512) 773-76-91 |



| | |
|--|---|
| | 1 |
| | 1 |
| | 1 |
| | 1 |
| | 1 |

| | |
|----------|----|
| | 3 |
| 12 50 | 10 |
| 12 140 | 4 |
| 12 (/) | 14 |
| 12 | 12 |
| 12 () | 16 |
| | 2 |
| (G) | 1 |
| | 1 |
| | 1 |
| 190 | 1 |
| | 1 |

| | | | |
|---|--|--|--|
| | | | |
| 1 | | | |
| 2 | | | |
| 3 | | | |
| 4 | | | |
| 5 | | | |
| 6 | | | |
| 7 | | | |

